

TRANSVERTER INTERFACE & ATTENUATOR BOARD

WITH RF SENSE PTT SWITCH

This **Transverter Interface & Attenuator** board **allows you to interface your base HF radio to the VHF/UHF Transverter**. This board contains **30 dB Attenuator** with the **fine output power adjustment POT, RF SENSE PTT SWITCH** and **BYPASS / PTT** relays.

When the Power Switch is set in **OFF** position the **Attenuator Board** is in **HF BYPASS** mode. HF antenna is connected to your base HF radio through the bypass relay contacts K2. You can operate on HF bands with full 100 watts output power of your base HF radio.

BEFORE SWITCHING IT TO THE VHF TRANSVERTER OPERATING MODE TO SET OUTPUT POWER OF YOUR BASE HF RADIO TO ABOUT 5 - 10 W !!!

To get it worked in the **VHF TRANSVERTER** mode to switch **+12V Power Switch ON**. Doing this your HF antenna is cut off from your HF radio by contacts of K2 relay and your VHF Transverter is set in RX mode connecting through the contacts of K3, K2, K1 relays to your base HF radio.

Connecting **PTT** line to the **GROUND** brings your VHF Transverter into TX mode connecting its IF input through the ATTENUATOR to the output of your base HF Radio.

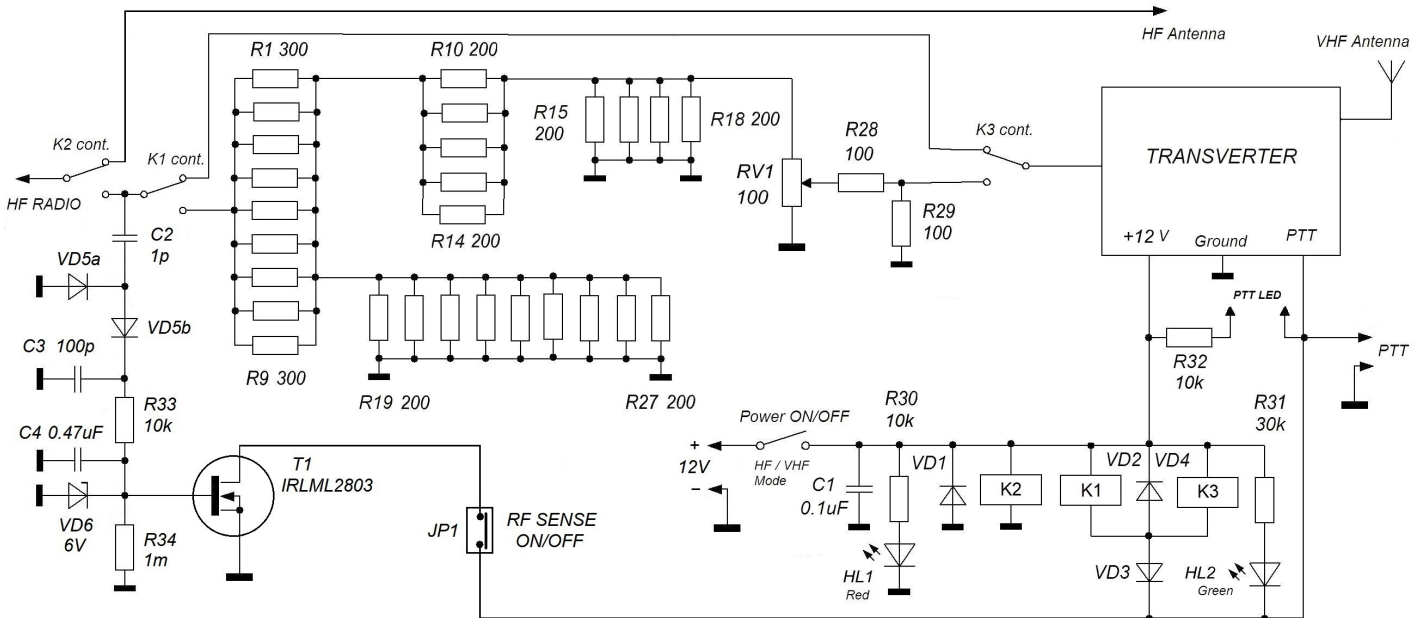
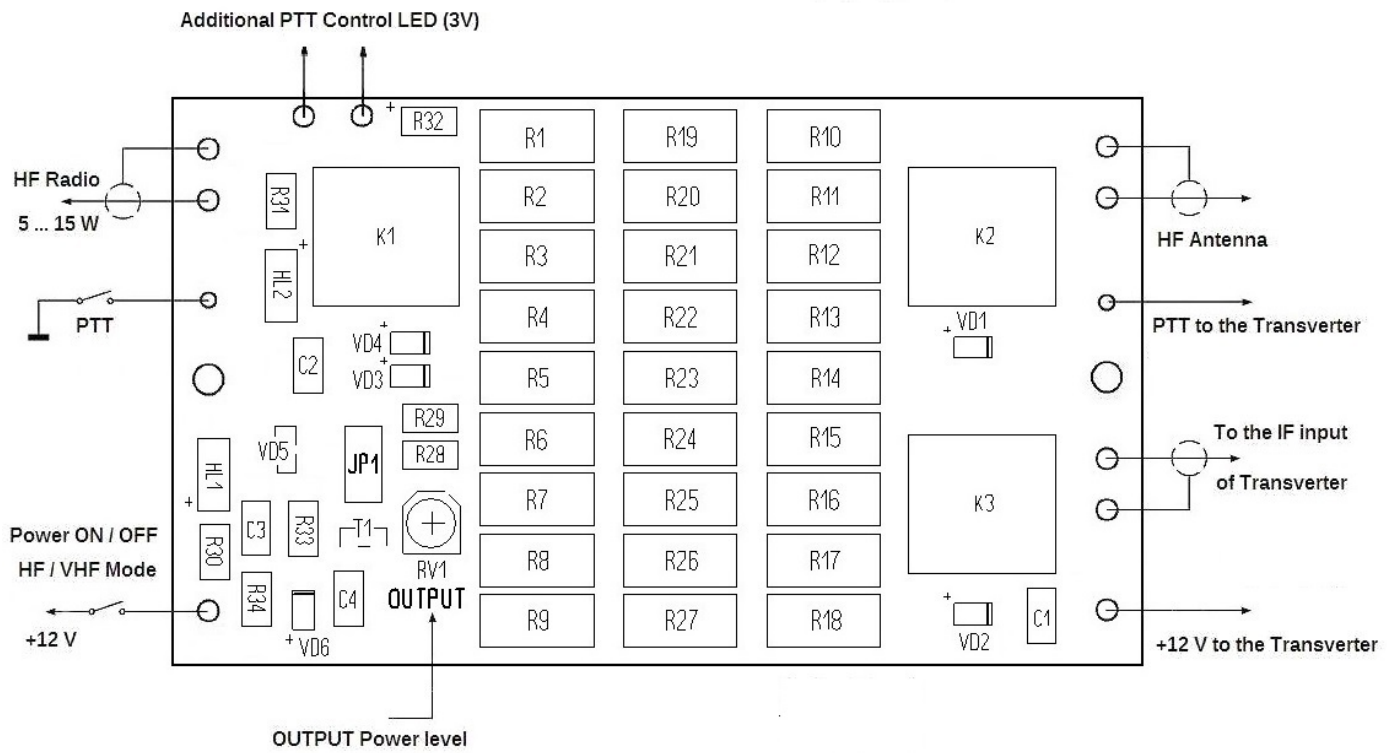
This Attenuator Board contains **RF SENSE PTT SWITCH** so you can even use it without PTT line connected to your HF Radio. Just push your HF Radio to the TX mode and RF SENSE PTT SWITCH instantly switches the Attenuator Board and VHF transverter to the TX mode. **Do not forget to drop output power of your HF Radio to about 5 - 10 W !!**

To note please: Even though RF SENSE PTT SWITCH works fine using it in SSB or slow speed CW modes might cause its relay clicking so in such modes I recommend to use the PTT line connected to your HF Base Radio.

YOU CAN EASILY SWITCH OFF RF SENSE PTT SWITCH BY REMOVING JP1 JUMPER.

Technical specifications

- **Attenuation Level** - 30 dB (10 W IN - 0.015 W OUT adjustable almost to ZERO)
- **RF Input Power** - 5 ... 10 W (15 W Maximum)
- **HF Bypass Power** - 100 W
- **PTT control** - Contact closure to the ground or **RF SENSE PTT SWITCH**
- **RF Sense Minimal Input Level** - 0.5 W
- **Supply voltage** - +13.8 VDC (+12 ... 14 VDC)
- **Dimensions (mm)** - 39 x 67



ALL RF CONNECTION MUST BE DONE WITH THE 50 OHM COAX CABLE !

BE CAREFUL !

DO NOT APPLY MORE THAN 15 WATTS TO THIS ATTENUATOR BOARD. IT MIGHT BE DAMAGED !!!

Web Store: <http://transverters-store.com>

E-mail: ut5jcw@usa.com

Skype: [ut5jcw](https://www.skype.com/user/ut5jcw)