

TRANSVERTER INTERFACE & ATTENUATOR BOARD

This **Transverter Interface & Attenuator** board allows you to interface your base **HF radio** to the **VHF/UHF Transverter**. This board contains **30 dB Attenuator** with the fine output power adjustment **POT** and the **BYPASS / PTT** relays.

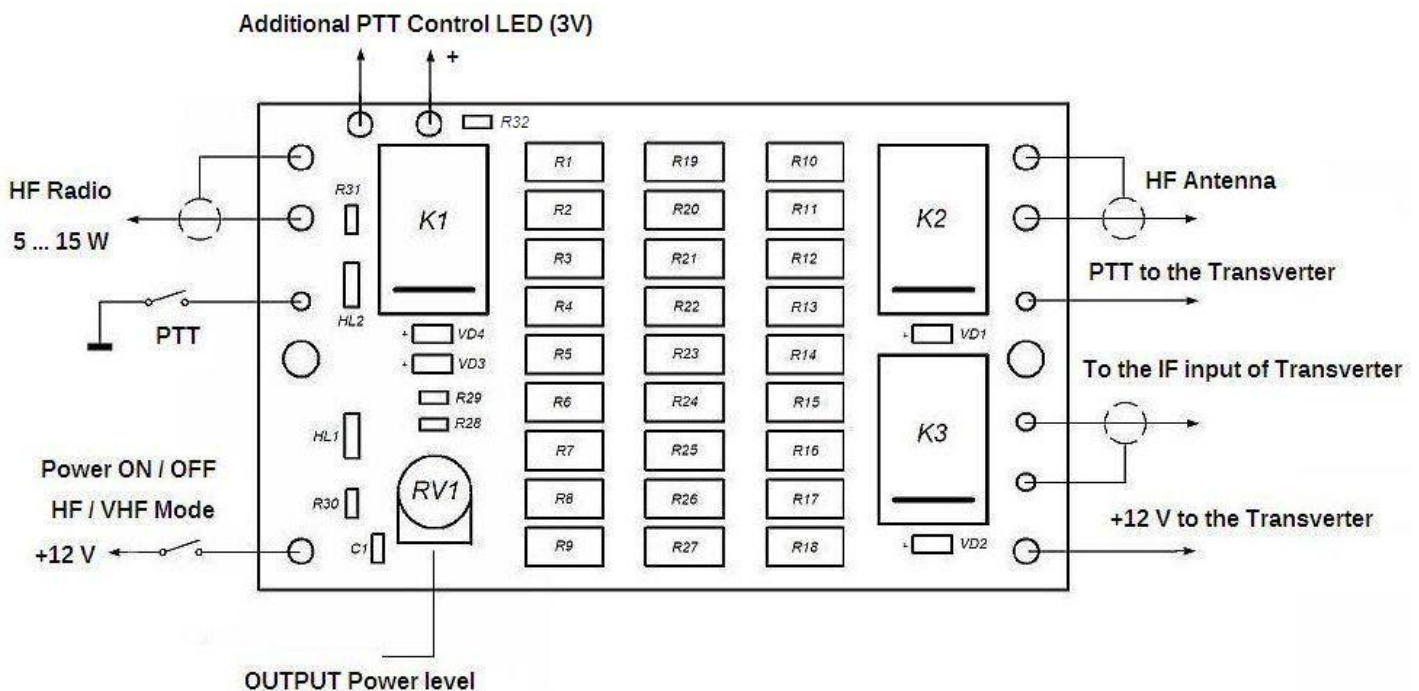
When the Power Switch is in **OFF** position the **Attenuator Board** is set in **HF BYPASS** mode. HF antenna is connected to your base HF radio through the bypass relay contacts K1 and K3. You can operate on HF bands with full 100 watts output power of your base HF radio.

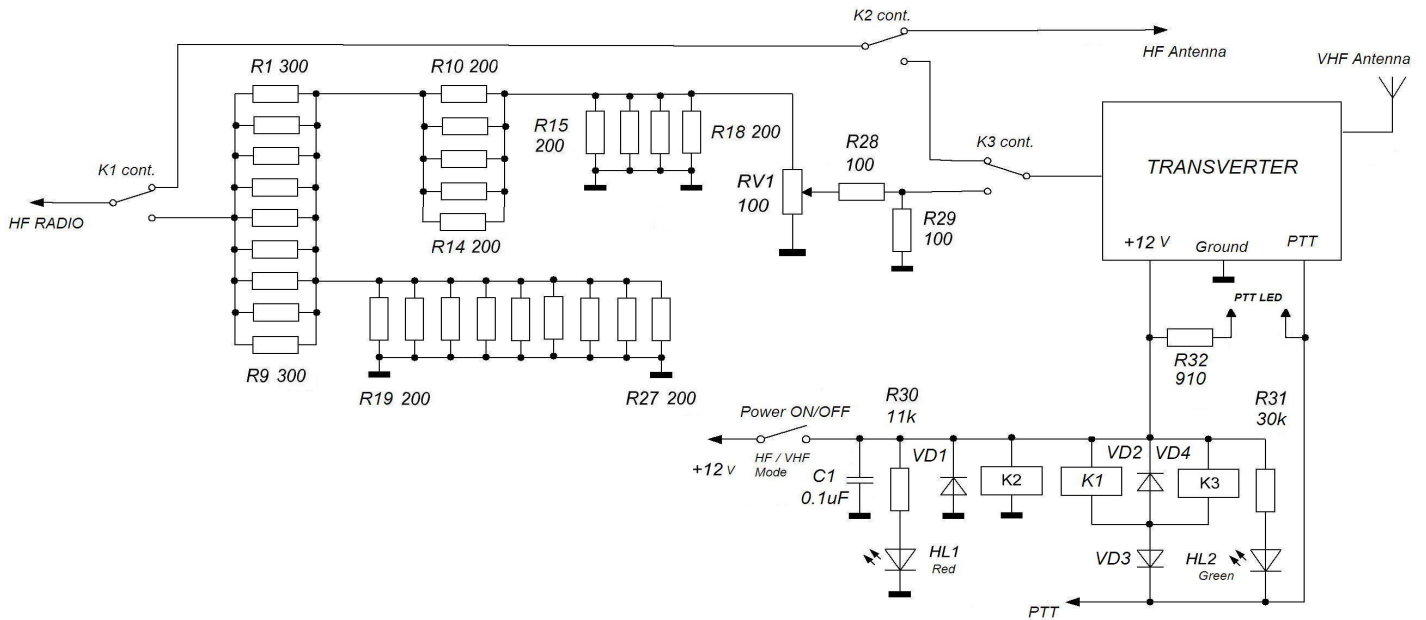
BEFORE SWITCHING TO THE TRANSVERTER OPERATION MODE TO SET OUTPUT POWER OF YOUR BASE HF RADIO ABOUT 5-10 W !!!

To get it working in the **VHF TRANSVERTER** mode to switch **+12V Power Switch ON**. Now your HF antenna is cut off from your HF radio by K2 contacts of the relay and your VHF Transverter setting in RX mode is connected through the K3, K2, K1 contacts of the relays to your base HF radio. Connecting **PTT** line to the **GROUND** brings your VHF Transverter into TX mode connecting its IF input through the ATTENUATOR to the output of your base HF Radio.

Technical specifications

- **Attenuation Level** - 30 dB (10W IN – 0.015W OUT adjustable almost to ZERO)
- **RF Input Power** - 15 W Maximum
- **HF Bypass Power** - 100 W
- **PTT control** - Contact closure to ground
- **Supply voltage** - +13.8 V DC (+12 ... 14 V DC)
- **Dimensions (mm)** - 39 x 67





ALL RF CONNECTION MUST BE DONE WITH THE COAX CABLE !

BE CAREFUL !

DO NOT APPLY MORE THAN 20 WATTS TO THIS ATTENUATOR BOARD BECAUSE IT MIGHT BE DAMAGED !!!

Web Store: <http://transverters-store.com>

E-mail: ut5jcw@usa.com

Skype: [ut5jcw](https://www.skype.com/user/ut5jcw)