

RA Amplifier Module Board

This **RA Amplifier Module Board** was designed to work with any type of **MITSUBISHI MOSFET RF POWER Modules** in **H2** or **H2S** cases. It will also work with some type of **TOSHIBA SAV** modules.

List of some compatible RF modules is below:

RA18H1213G, RA60H1317M, RA60H4047M, RA60H1317, RA60H4047, RA30H1317M, RA30H4047M, RA30H1317, RA30H4047, RA35H1516M, RA80H1415M, SAV32, SAV33 and some others.

This **RA Amplifier Module Board** contains **6db** Input Attenuator, **BIAS** voltage stabilizing circuit and DC blocking capacitors. It suppose to be installed along with the RA Module itself onto heatsink.

Input and output lines are matched **50 Ohm** load. To switch it to the **TX(Transmit)** mode to **close PTT contact to the ground**.

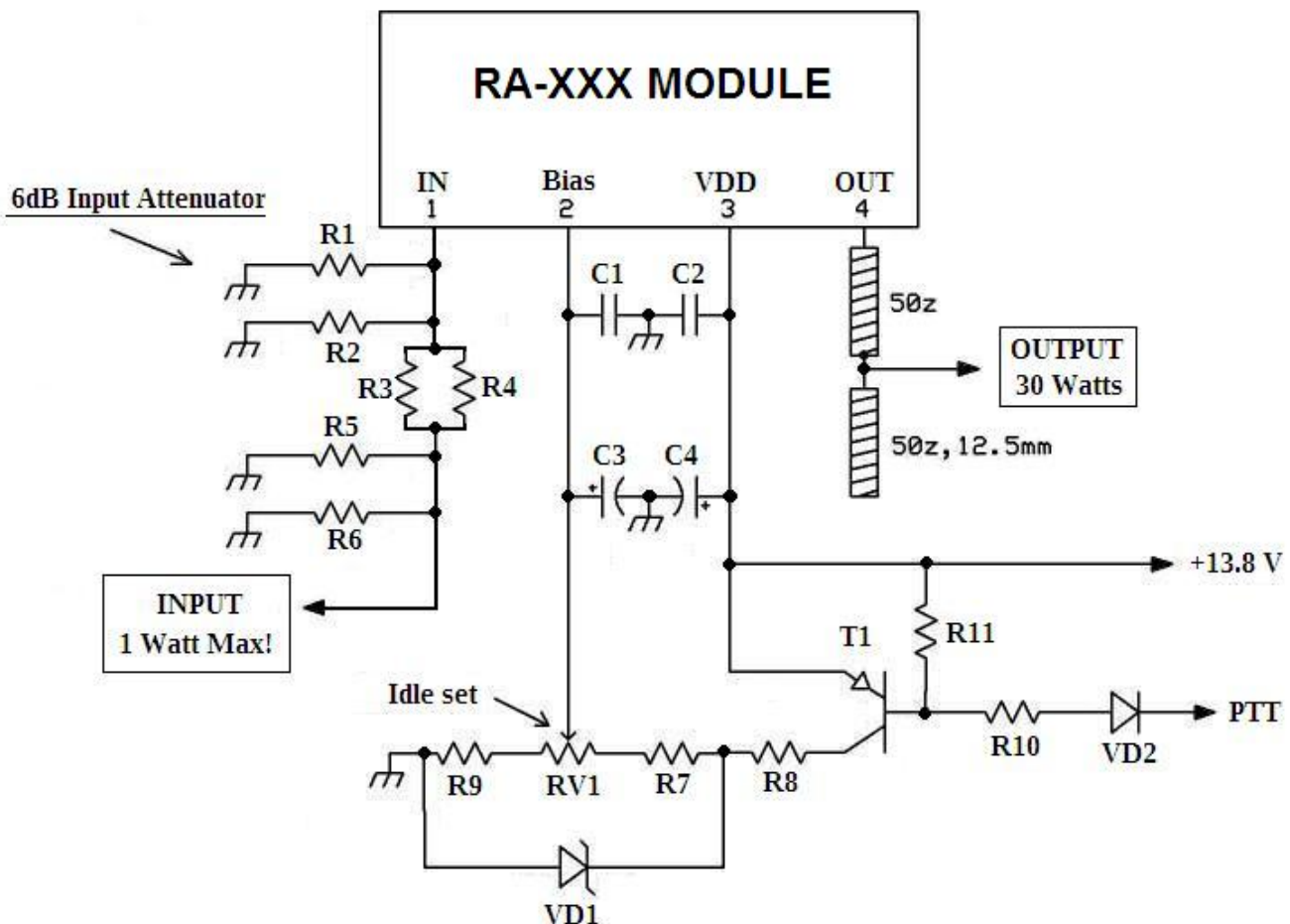
Material of the PCB is FR4.

Size 67 x 23 mm.

Be carefull!

Maximum input driving power of this Board(with 6 dB ATT installed) is 1 W.

DO NOOT EXCEED THIS !!!



Triods & Diodes		
T1	BC807	SOT-23
VD1	6V2	LL34
VD2	1N4148 (T4)	1206
Capacitors		
C1	10 nF	1206
C2	10 nF	1206
C3	22 uF 10V	Type B
C4	10 uF 25V	Type C
Resistors		
R1	300 R	1206
R2	300 R	1206
R3	75 R	1206
R4	75 R	1206
R5	300 R	1206
R6	300 R	1206
R7	150 R	0805
R8	300 R	1206
R9	300 R	0805
R10	3 K	0805
R11	300 R	0805
RV1 POT	500 R	SMD

Web Store: <http://transverters-store.com/>

E-mail: ut5jcw@usa.com

Skype: [ut5jcw](https://www.skype.com/people/ut5jcw)