

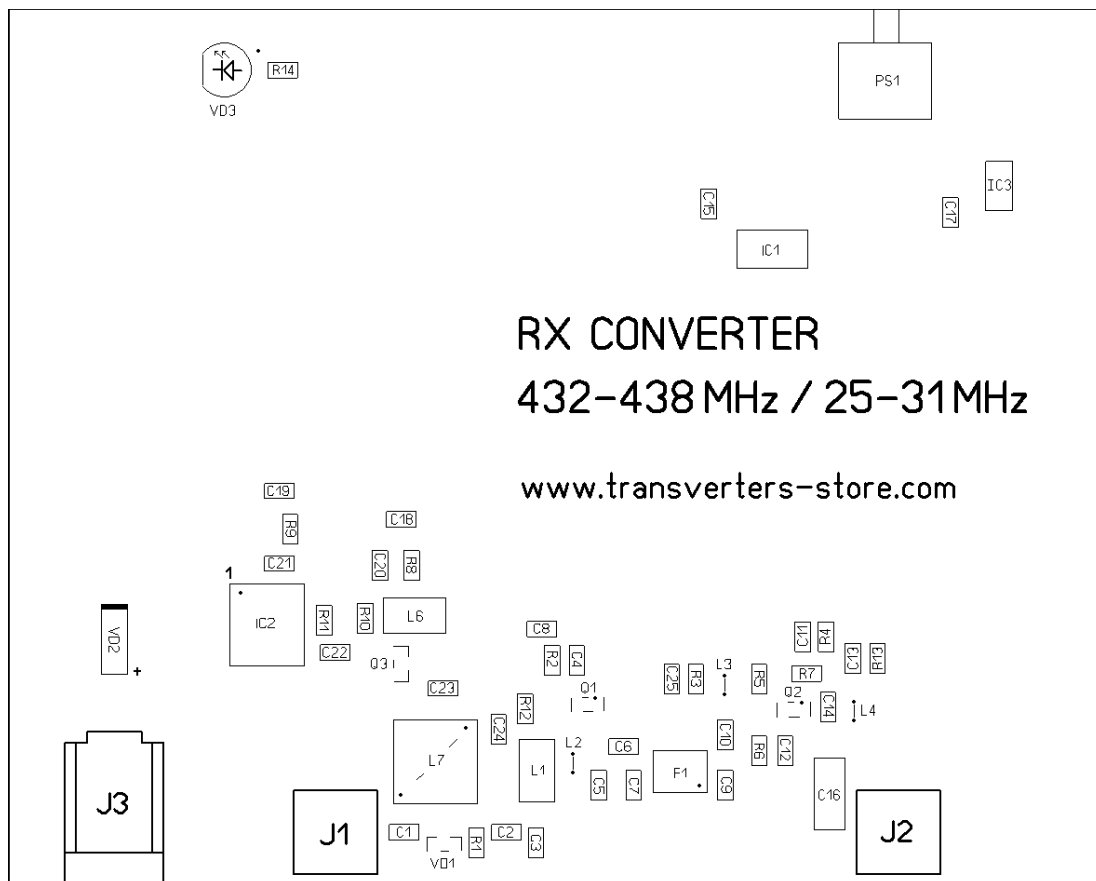
## 435/28 MHz RECEIVING CONVERTER

With this Converter you can receive the signals on **70 cm** band using any type of the HF receiver that has **10 meter** band. It would work the whole 70 cm band at **432 to 438 MHz** if your base HF receiver covers **25 to 31 MHz** band.

### Technical specifications

- RF INPUT range - **432 ... 438 MHz**
- RF OUTPUT range - **25 ... 31 MHz (435.000 MHz at 28.000 MHz)**
- LO frequency - **407 MHz**
- RX gain - **typ. 20 dB**
- Noise figure - **typ. 1.0 dB**
- Supply voltage - **+13.8 VDC (+12 ... 14 VDC)**

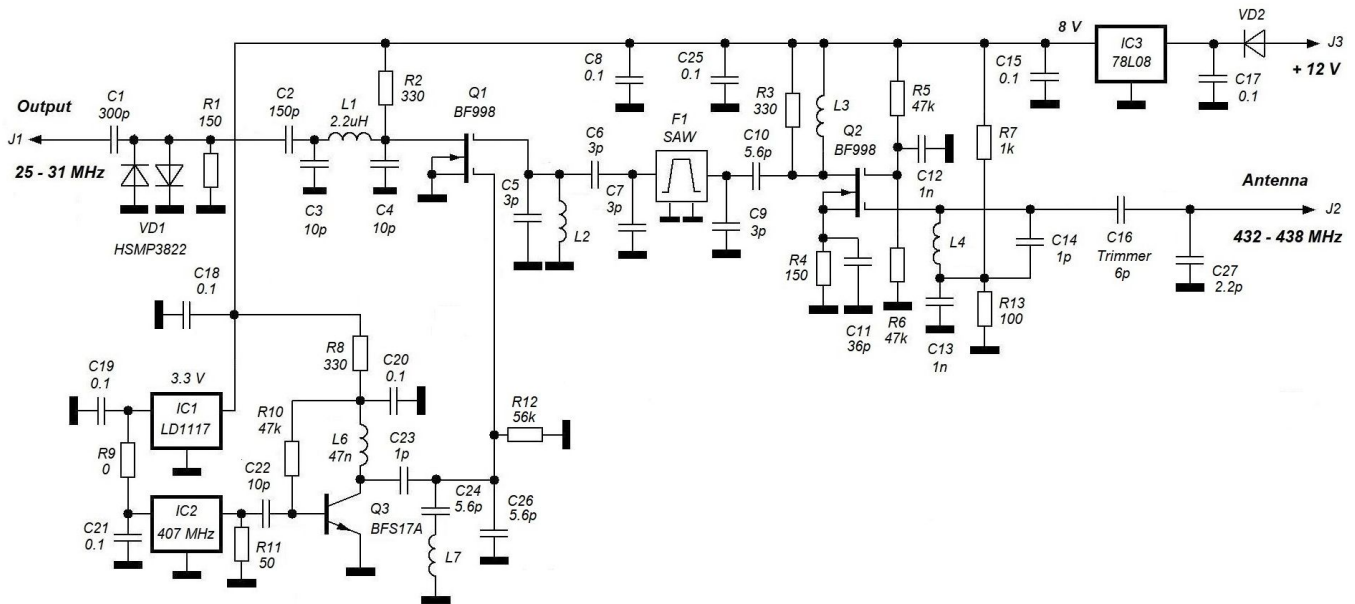
### Top View of PCB



### Pinout of the connectors:

- J1 - SMA Connector - OUTPUT** to the 10 meter band Receiver
- J2 - SMA Connector - 70 cm band Antenna**
- J3 - 5.5 x 2.5 mm female Connector - Power connector +12V** central pin

## Circuit diagram of the Converter



**BE CAREFUL!** Although this converter has a protection chain applying RF power more than 10 W on its output might damage it. So if you use this converter with HF radio do not push the transmit button of your HF radio !

Web Store: <http://transverters-store.com/>

E-mail: [ut5jcw@usa.com](mailto:ut5jcw@usa.com)

Skype: ut5jcw